

# CLV 410

## Bar Code Scanner

### Standard line



### The small powerful system

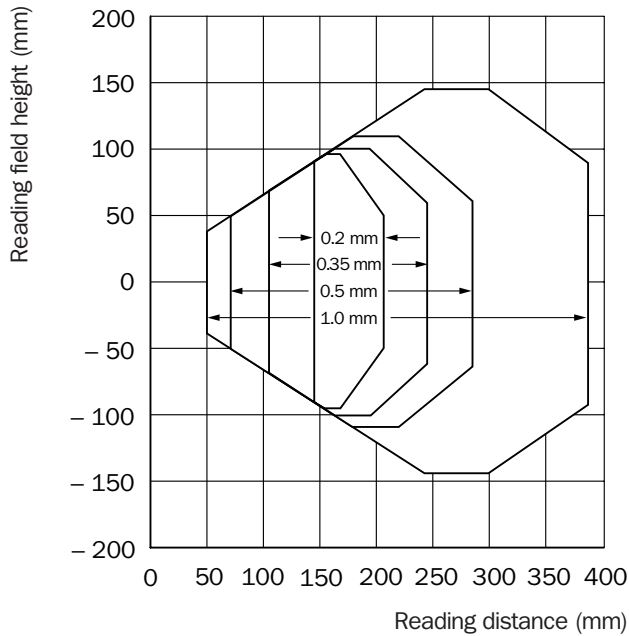
The CLV 410 marks the beginning of a new scanner generation that benefits from years of experience with the CLV 200 family. The optical concept of "Autocollimation", SICK's standard for high performance scanners, is now integrated into a housing with very small dimensions. Therefore, we now achieve excellent reading rates even in the worst environmental conditions involving ambient light and small module widths at very high reading distances.

#### Benefits:

- Easy to use
- Quick installation
- Minimized costs due to integrated functions
- Quick adaptation to your application
- Flexible integration even in highly sophisticated machines
- Highest availability
- High reliability

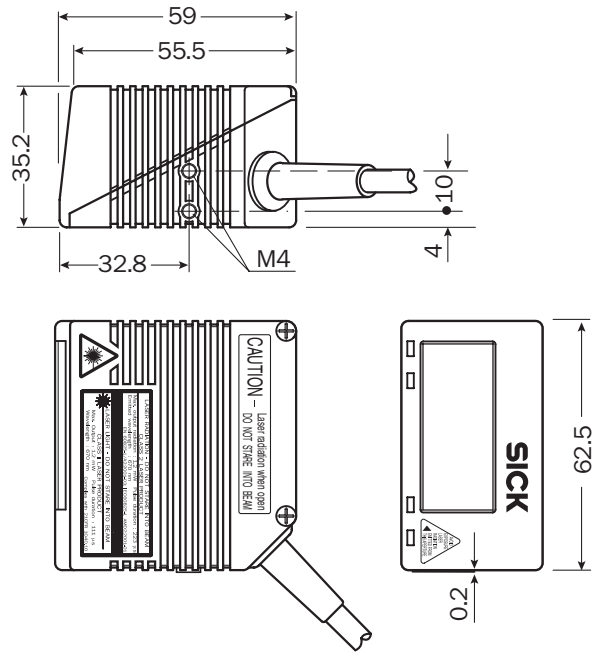
#### The CLV 410 at a glance:

- Reflector Polling generates an integrated trigger
- Profile Programming makes configuration easy
- AutoSetup for flexible adjustment
- Autocollimation guarantees high reading reliability
- Beeper reports the reading gate
- Power Supply tolerates a wide range of Input Voltage
- Compact Housing for tight fits
- Line Scanner and Raster Scanner option



**Reading conditions:**

Test code: code 39/ ITF  
 Print ratio: 2:1  
 Print contrast: > 90 %



**Technical data CLV 410**

Scanner design	Line scanner, option: raster scanner
Light source	Laser diode, red light ( $\lambda = 650 \text{ nm} - 670 \text{ nm}$ )
Laser class	Class 2 (pursuant to EN 60825-1)
Ambient light compability	2000 lx (on bar code)
Scanning/decoding frequency	200 ... 800 Hz
Operation and parameterization	with command strings/profile programming/configuration software
Indicators	4 x LED status indicators
Data interface	RS 232/RS 422/485
Data transmission rate	300 ... 57 600 bd
Switching inputs/outputs	2 x IN / 3 x OUT
Operating voltage/power consumption	DC 5 V to 30 V/ max. 3 W
Housing	Die-cast zinc
Enclosure rating/protection class	IP 54 (to DIN 40 050)/ class 3 (to VDE 0106)
EMC test	to EN 61000-6-2, EN 61000-6-3
Weight	approx. 250 g
Temperature (ambient operating/storage)	0 ... +40 °C/-20 ... +70 °C



SICK AG  
 Auto Ident  
 Nimburger Straße 11  
 79276 Reute  
 Germany  
 Local sales offices see  
 internet homepage  
 www.sick.de

Received from your SICK partner: